

2 POLE MOTOR



■ INDEX

15W (□80mm)	46
25W (□80mm)	48
40W (□90mm)	50
60W (□90mm)	52
90W (□90mm)	54
120W (□90mm)	56
150W (□90mm)	58
200W (□90mm)	60

2 POLE MOTOR 15W

□80mm(3.12in.)



LEAD WIRE TYPE MOTOR



TERMINAL BOX TYPE MOTOR

Motor Specification



Model 8IDS□-15-A : Round Shaft Type		Output		Voltage	Freq.	Current	Starting Torque			Rated Torque			Rated Speed	Capacitor	
Lead Wire Type	Terminal Box Type	HP	W	VAC	Hz	A	gfcM	mN.m	oz-in	gfcM	mN.m	oz-in	r/min	μF	VAC
ⓉP 8IDSA-15-A	8IDSA-15-A-T	1/50	15	Single Phase 110	60	0.40	500	50	7	700	70	10	3200	6.0	250
ⓉP 8IDSB-15-A	8IDSB-15-A-T			Single Phase 115	60					700	70	10	3200		
ⓉP 8IDSC-15-A	8IDSC-15-A-T			Single Phase 220	50	0.25	500	50	7	840	84	72	2600	2.0	400
ⓉP 8IDSD-15-A	8IDSD-15-A-T			Single Phase 220	60					700	70	10	3200		
ⓉP 8IDSE-15-A	8IDSE-15-A-T			Single Phase 230	50					840	84	12	2600		
ⓉP 8IDSF-15-A	8IDSF-15-A-T			Single Phase 230	60					700	70	10	3200		
ⓉP 8IDSG-15-A	8IDSG-15-A-T			Three Phase 220	50	0.25	600	60	8.5	700	70	10	2600	-	
ⓉP 8IDSH-15-A	8IDSH-15-A-T			Three Phase 220	60					700	70	10	3200		
ⓉP 8IDSI-15-A	8IDSI-15-A-T			Three Phase 230	50					700	70	10	2600		
ⓉP 8IDSJ-15-A	8IDSJ-15-A-T			Three Phase 230	60					700	70	10	3200		

* Enter the 'Phase & Voltage' code in the box(□) within the motor model name.

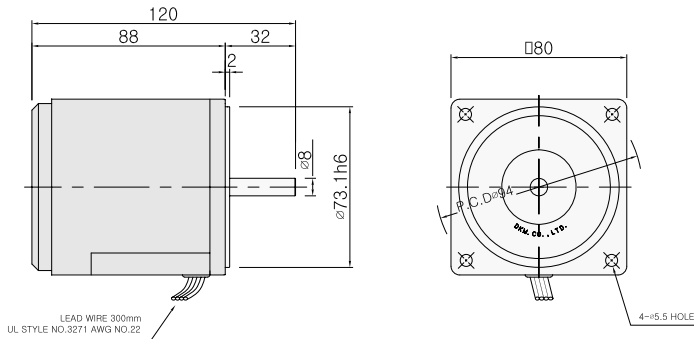
* 'Round Shaft' is for using motor only.

ⓉP : Contains a built-in thermal protector. If a motor overheats for any reason the thermal protector opened and the motor stops. When the motor temperature drops, the thermal protector closes and the motor restarts. Be sure to turn the motor off before inspecting.

Dimension

LEAD WIRE TYPE

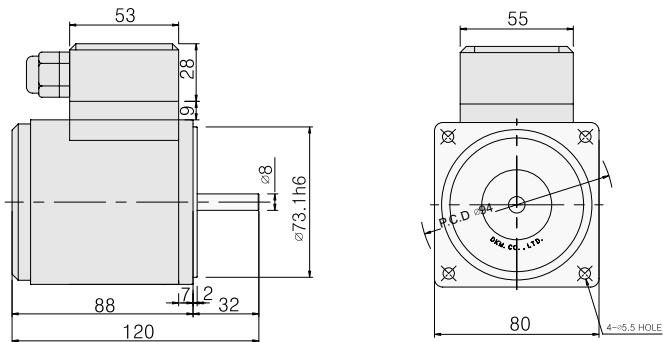
* MOTOR MODEL : 8ID□□-15-A (NO FAN)



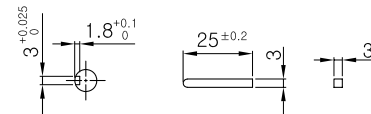
LEAD WIRE 300mm
UL STYLE NO.3271 AWG NO.22

TERMINAL BOX TYPE

* MOTOR MODEL : 8ID□□-15-AT(NO FAN)



KEY SPEC



WEIGHT

PART	WEIGHT(Kg)
MOTOR	1.6

MOTOR OUTPUT

MODEL	SHAFT
ROUND TYPE	★
8IDS□-15-A	
D-CUT TYPE	
8IDD□-15-A	
KEY TYPE	
8IDK□-15-A	

* Note : Above table indicates output shaft dimension made by user's request and ★ indicates the basic dimension in factory shipping.

Connection Diagrams

Please refer to page 53.

2 POLE MOTOR 25W

□80mm(3.12in.)



LEAD WIRE TYPE MOTOR



TERMINAL BOX TYPE MOTOR

Motor Specification



Model 8IDS□-25-A : Round Shaft Type		Output		Voltage	Freq.	Current	Starting Torque			Rated Torque			Rated Speed	Capacitor	
Lead Wire Type	Terminal Box Type	HP	W	VAC	Hz	A	gcm	mN.m	oz-in	gcm	mN.m	oz-in	r/min	μF	VAC
ⓉP 8IDSA-25-A	8IDSA-25-A-T	1/30	25	Single Phase 110	60	0.50	600	60	8	900	90	13	3200	6.0	250
ⓉP 8IDSB-25-A	8IDSB-25-A-T			Single Phase 115	60					900	90	13	3200		
ⓉP 8IDSC-25-A	8IDSC-25-A-T			Single Phase 220	50	0.30	600	60	8	1000	100	14	2600	2.5	400
ⓉP 8IDSD-25-A	8IDSD-25-A-T			Single Phase 220	60					900	90	13	3200		
ⓉP 8IDSE-25-A	8IDSE-25-A-T			Single Phase 230	50					1000	100	14	2600		
ⓉP 8IDSF-25-A	8IDSF-25-A-T			Single Phase 230	60					900	90	13	3200		
ⓉP 8IDSG-25-A	8IDSG-25-A-T			Three Phase 220	50	0.30	70	70	10	1000	100	14	2600	-	
ⓉP 8IDSH-25-A	8IDSH-25-A-T			Three Phase 220	60								3200		
ⓉP 8IDSI-25-A	8IDSI-25-A-T			Three Phase 230	50								2600		
ⓉP 8IDSJ-25-A	8IDSJ-25-A-T			Three Phase 230	60								3200		

* Enter the 'Phase & Voltage' code in the box(□) within the motor model name.

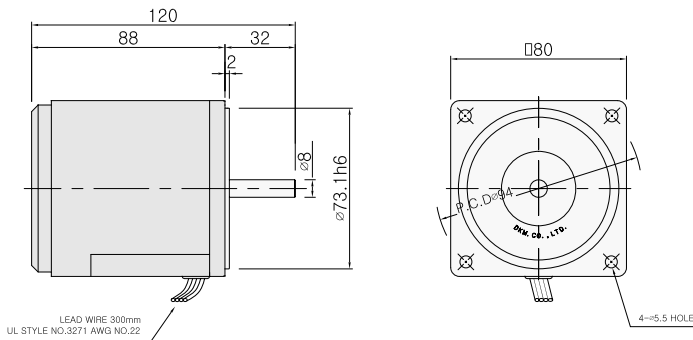
* 'Round Shaft' is for using motor only.

ⓉP : Contains a built-in thermal protector. If a motor overheats for any reason the thermal protector opened and the motor stops. When the motor temperature drops, the thermal protector closes and the motor restarts. Be sure to turn the motor off before inspecting.

Dimension

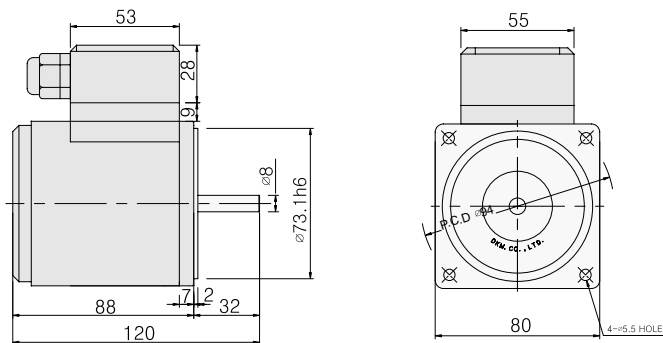
LEAD WIRE TYPE

* MOTOR MODEL : 8ID□□-25-A (NO FAN)

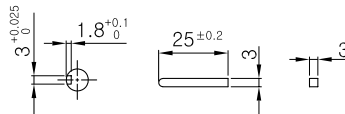


TERMINAL BOX TYPE

* MOTOR MODEL : 8ID□□-25-AT(NO FAN)



KEY SPEC



WEIGHT

PART	WEIGHT(Kg)
MOTOR	1.6

MOTOR OUTPUT

MODEL	SHAFT
ROUND TYPE	32 ★ ø8
8IDS□-25-A	
D-CUT TYPE	32 25 7±0.1 ø8
8IDD□-25-A	
KEY TYPE	32 25 ø8
8IDK□-25-A	

* Note : Above table indicates output shaft dimension made by user's request and ★ indicates the basic dimension in factory shipping.

Connection Diagrams

Please refer to page 53.

2 POLE MOTOR 40W

□90mm(3.54in.)



LEAD WIRE TYPE MOTOR



TERMINAL BOX TYPE MOTOR

Motor Specification



Model 9IDD□-40-A : D-Cut Shaft Type		Output		Voltage	Freq.	Current	Starting Torque			Rated Torque			Rated Speed	Capacitor	
Lead Wire Type	Terminal Box Type	HP	W	VAC	Hz	A	gfcM	mN.m	oz-in	gfcM	mN.m	oz-in	r/min	μF	VAC
ⓉP 9IDDA-40-A	9IDDA-40-A-T	1/15	40	Single Phase 110	60	0.8	900	90	13	1350	135	19	3200	16	250
ⓉP 9IDDB-40-A	9IDDB-40-A-T			Single Phase 115	60										
ⓉP 9IDDC-40-A	9IDDC-40-A-T			Single Phase 220	50	0.4	900	90	13	1350	135	19	3200	4.0	400
ⓉP 9IDDD-40-A	9IDDD-40-A-T			Single Phase 220	60										
ⓉP 9IDDE-40-A	9IDDE-40-A-T			Single Phase 230	50										
ⓉP 9IDDF-40-A	9IDDF-40-A-T			Single Phase 230	60										
ⓉP 9IDDG-40-A	9IDDG-40-A-T			Three Phase 220	50	0.40	1350	135	19	1620	162	23	2600	-	-
ⓉP 9IDDH-40-A	9IDDH-40-A-T			Three Phase 220	60										
ⓉP 9IDDI-40-A	9IDDI-40-A-T			Three Phase 230	50	0.22	1350	135	19	1620	162	23	2600	-	-
ⓉP 9IDDJ-40-A	9IDDJ-40-A-T			Three Phase 230	60										
ⓉP 9IDDK-40-A	9IDDK-40-A-T			Three Phase 380	50	0.18	1350	135	19	1620	162	23	2600	-	-
ⓉP 9IDDL-40-A	9IDDL-40-A-T			Three Phase 380	60										
ⓉP 9IDDM-40-A	9IDDM-40-A-T			Three Phase 400	50	0.18	1350	135	19	1620	162	23	2600	-	-
ⓉP 9IDDN-40-A	9IDDN-40-A-T			Three Phase 440	50										
ⓉP 9IDDO-40-A	9IDDO-40-A-T			Three Phase 440	60					1350	135	19	3200		

* Enter the 'Phase & Voltage' code in the box(□) within the motor model name.

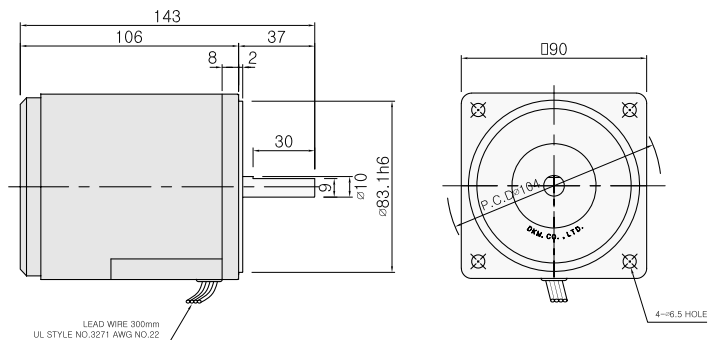
* 'D-Cut Shaft' is for using motor only.

ⓉP : Contains a built-in thermal protector. If a motor overheats for any reason the thermal protector opened and the motor stops. When the motor temperature drops, the thermal protector closes and the motor restarts. Be sure to turn the motor off before inspecting.

Dimension

LEAD WIRE TYPE

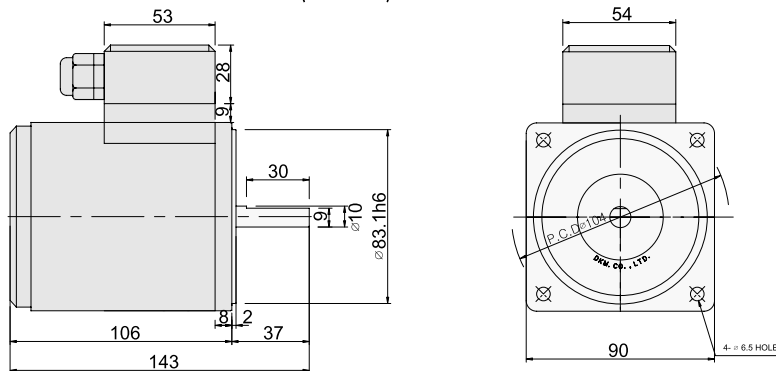
* MOTOR MODEL : 9ID□□-40-A (NO FAN)



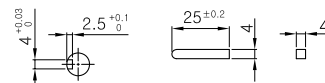
LEAD WIRE 3000mm
UL STYLE NO.3271, AWG NO.22

TERMINAL BOX TYPE

* MOTOR MODEL : 9ID□□-40-AT(NO FAN)



KEY SPEC



WEIGHT

PART	WEIGHT(Kg)
MOTOR	2.4

MOTOR OUTPUT

MODEL	SHAFT
ROUND TYPE	
9IDS□-40-A	
D-CUT TYPE	
9IDD□-40-A	
KEY TYPE	
9IDK□-40-A	

* Note : Above table indicates output shaft dimension made by user's request and ★ indicates the basic dimension in factory shipping.

Connection Diagrams

Please refer to page 53.

2 POLE MOTOR 60W

□90mm(3.54in.)



LEAD WIRE TYPE MOTOR



TERMINAL BOX TYPE MOTOR

Motor Specification



Model 9IDD□-60F-A : D-Cut Shaft Type		Output	Voltage	Freq.	Current	Starting Torque			Rated Torque			Rated Speed	Capacitor	
Lead Wire Type	Terminal Box Type	HP W	VAC	Hz	A	gfcM	mN.m	oz-in	gfcM	mN.m	oz-in	r/min	μF	VAC
ⓉP 9IDDA-60F-A	9IDDA-60F-A-T	1/12 60	Single Phase 110	60	1.20	1200	120	17	1900	190	27	3200	20	250
ⓉP 9IDDB-60F-A	9IDDB-60F-A-T		Single Phase 115	60										
ⓉP 9IDDC-60F-A	9IDDC-60F-A-T		Single Phase 220	50	0.60	1200	120	17	2200	220	31	2600	5.0	400
ⓉP 9IDDD-60F-A	9IDDD-60F-A-T		Single Phase 220	60										
ⓉP 9IDDE-60F-A	9IDDE-60F-A-T		Single Phase 230	50										
ⓉP 9IDDF-60F-A	9IDDF-60F-A-T		Single Phase 230	60										
ⓉP 9IDDG-60F-A	9IDDG-60F-A-T		Three Phase 220	50	0.60	1800	180	25	2200	220	31	2600	-	-
ⓉP 9IDDH-60F-A	9IDDH-60F-A-T		Three Phase 220	60										
ⓉP 9IDDI-60F-A	9IDDI-60F-A-T		Three Phase 230	50										
ⓉP 9IDDJ-60F-A	9IDDJ-60F-A-T		Three Phase 230	60										
ⓉP 9IDDK-60F-A	9IDDK-60F-A-T		Three Phase 380	50	0.38	1800	180	25	2200	220	31	2600	-	-
ⓉP 9IDDL-60F-A	9IDDL-60F-A-T		Three Phase 380	60										
ⓉP 9IDDM-60F-A	9IDDM-60F-A-T		Three Phase 400	50	0.27	1800	180	25	2200	220	31	2600	-	-
ⓉP 9IDDN-60F-A	9IDDN-60F-A-T		Three Phase 440	50										
ⓉP 9IDDO-60F-A	9IDDO-60F-A-T		Three Phase 440	60										

* Enter the 'Phase & Voltage' code in the box(□) within the motor model name.

* 'D-Cut Shaft' is for using motor only.

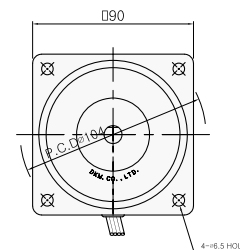
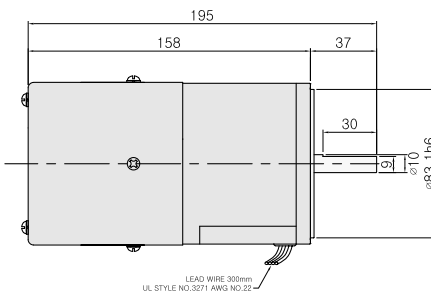
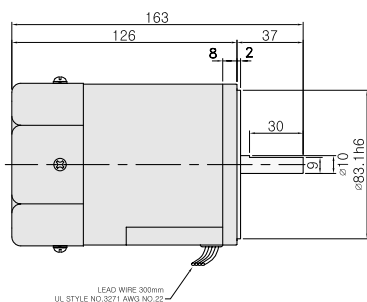
ⓉP : Contains a built-in thermal protector. If a motor overheats for any reason the thermal protector opened and the motor stops. When the motor temperature drops, the thermal protector closes and the motor restarts. Be sure to turn the motor off before inspecting.

Dimension

LEAD WIRE TYPE

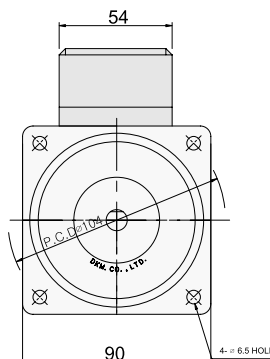
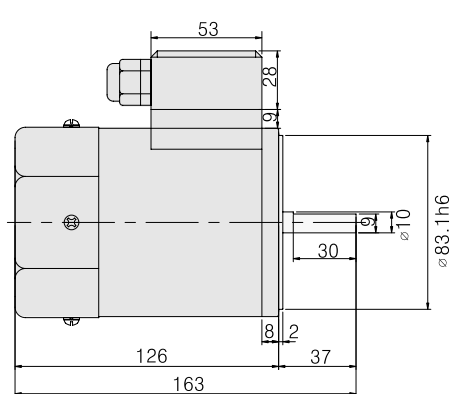
* MOTOR MODEL : 9ID□□-60F-A (GENERAL FAN)

* MOTOR MODEL : 9ID□□-60F2-A (POWERFUL FAN)



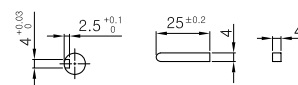
TERMINAL BOX TYPE

* MOTOR MODEL : 9ID□□-60F-AT (GENERAL FAN)



* Note : There are 2 kinds of fan type (General Fan / Powerful Fan).
Customer can choose fan type according to wanted rating time.

KEY SPEC



WEIGHT

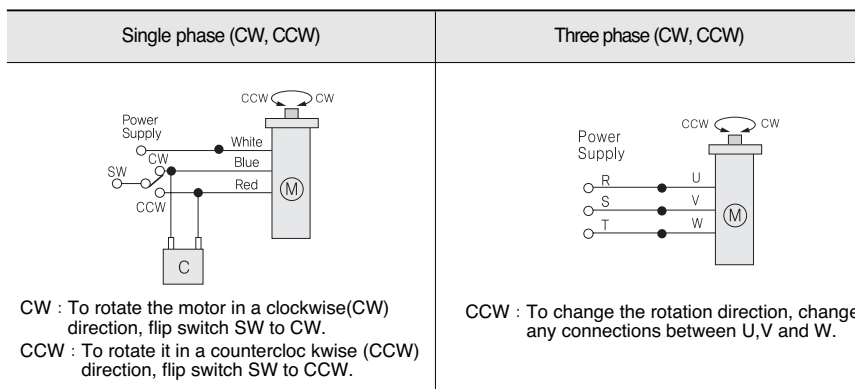
PART	WEIGHT(Kg)
MOTOR	2.6

MOTOR OUTPUT

MODEL	SHAFT
9IDS□-60□-A	ROUND TYPE 37mm length, 10mm diameter shaft
9IDD□-60□-A	D-CUT TYPE 37mm length, 10mm diameter shaft with a 30mm cutout and a 9.5mm diameter hole. ★ indicates basic dimension.
9IDK□-60□-A	KEY TYPE 37mm length, 10mm diameter shaft with a 25mm keyway.

* Note : Above table indicates output shaft dimension made by user's request and ★ indicates the basic dimension in factory shipping.

Connection Diagrams



- The direction of motor rotation is as viewed from the shaft end of the motor.
- CW represents the clockwise direction, while CCW represents the counterclockwise direction.
- Connection diagrams are also valid for the equivalent round shaft type.
- Change the direction of single-phase motor rotation only after bringing the motor to a stop. If an attempt is made to change the direction of rotation while the motor is rotating, the motor may ignore the reversing command or change its direction after some delay.

2 POLE MOTOR 90W

□90mm(3.54in.)



LEAD WIRE TYPE MOTOR



TERMINAL BOX TYPE MOTOR

Motor Specification



Model 9IDD□-90F-A : D-Cut Shaft Type		Output		Voltage	Freq.	Current	Starting Torque			Rated Torque			Rated Speed	Capacitor	
Lead Wire Type	Terminal Box Type	HP	W	VAC	Hz	A	gcm	mN.m	oz-in	gcm	mN.m	oz-in	r/min	μF	VAC
(TP) 9IDDA-90F-A	9IDDA-90F-A-T	1/8	90	Single Phase 110	60	2.00	2200	220	31	2800	280	40	3200	25	250
(TP) 9IDDB-90F-A	9IDDB-90F-A-T			Single Phase 115	60										
(TP) 9IDDC-90F-A	9IDDC-90F-A-T			Single Phase 220	50	1.00	2200	220	31	2850	285	40	3200	6.0	400
(TP) 9IDDD-90F-A	9IDDD-90F-A-T			Single Phase 220	60										
(TP) 9IDDE-90F-A	9IDDE-90F-A-T			Single Phase 230	50										
(TP) 9IDDF-90F-A	9IDDF-90F-A-T			Single Phase 230	60										
(TP) 9IDDG-90F-A	9IDDG-90F-A-T			Three Phase 220	50	0.90	2700	270	38	3420	342	48	2600	-	-
(TP) 9IDDH-90F-A	9IDDH-90F-A-T			Three Phase 220	60										
(TP) 9IDDI-90F-A	9IDDI-90F-A-T			Three Phase 230	50										
(TP) 9IDDJ-90F-A	9IDDJ-90F-A-T			Three Phase 230	60	0.5	2700	270	38	2850	285	40	3200	-	-
(TP) 9IDDK-90F-A	9IDDK-90F-A-T			Three Phase 380	50										
(TP) 9IDDL-90F-A	9IDDL-90F-A-T			Three Phase 380	60	0.4	2700	270	38	3420	342	48	2600	-	-
(TP) 9IDDM-90F-A	9IDDM-90F-A-T			Three Phase 400	50										
(TP) 9IDDN-90F-A	9IDDN-90F-A-T			Three Phase 440	50										
(TP) 9IDDO-90F-A	9IDDO-90F-A-T			Three Phase 440	60					3420	342	48	3200		

* Enter the 'Phase & Voltage' code in the box(□) within the motor model name.

* 'D-Cut Shaft' is for using motor only.

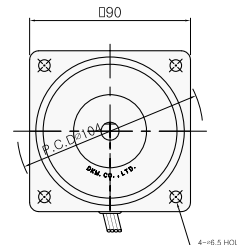
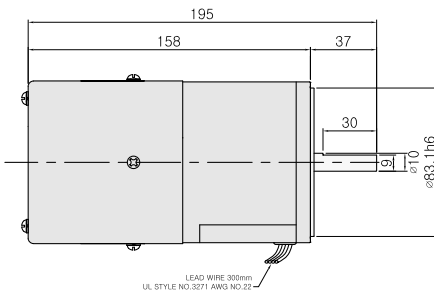
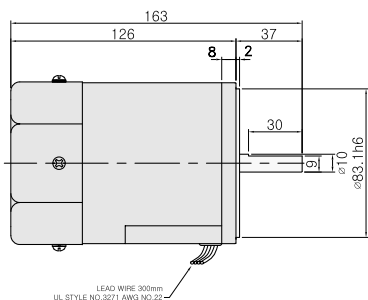
(TP) : Contains a built-in thermal protector. If a motor overheats for any reason the thermal protector opened and the motor stops. When the motor temperature drops, the thermal protector closes and the motor restarts. Be sure to turn the motor off before inspecting.

Dimension

LEAD WIRE TYPE

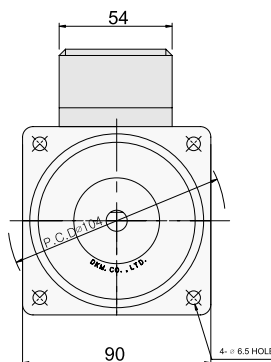
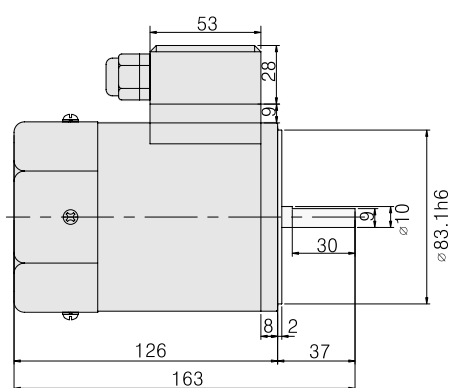
* MOTOR MODEL : 9ID□□-90F-A (GENERAL FAN)

* MOTOR MODEL : 9ID□□-90F2-A (POWERFUL FAN)



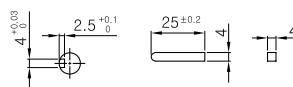
TERMINAL BOX TYPE

* MOTOR MODEL : 9ID□□-90F-A (GENERAL FAN)



* Note : There are 2 kinds of fan type (General Fan / Powerful Fan).
Customer can choose fan type according to wanted rating time.

KEY SPEC



WEIGHT

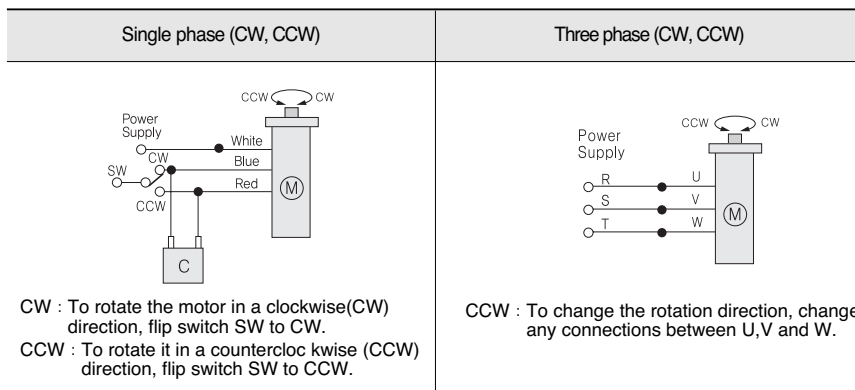
PART	WEIGHT(Kg)
MOTOR	2.6

MOTOR OUTPUT

MODEL	SHAFT
ROUND TYPE	
9IDS□-90□-A	
D-CUT TYPE	
9IDD□-90□-A	
KEY TYPE	
9IDK□-90□-A	

* Note : Above table indicates output shaft dimension made by user's request and ★ indicates the basic dimension in factory shipping.

Connection Diagrams



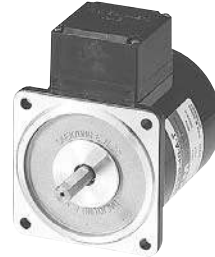
- The direction of motor rotation is as viewed from the shaft end of the motor.
- CW represents the clockwise direction, while CCW represents the counterclockwise direction.
- Connection diagrams are also valid for the equivalent round shaft type.
- Change the direction of single-phase motor rotation only after bringing the motor to a stop. If an attempt is made to change the direction of rotation while the motor is rotating, the motor may ignore the reversing command or change its direction after some delay.

2 POLE MOTOR 120W

□90mm(3.54in.)



LEAD WIRE TYPE MOTOR



TERMINAL BOX TYPE MOTOR

Motor Specification



Model 9IDD□-120F-A : D-Cut Shaft Type		Output		Voltage	Freq.	Current	Starting Torque			Rated Torque			Rated Speed	Capacitor			
Lead Wire Type	Terminal Box Type	HP	W	VAC	Hz	A	gfcM	mN.m	oz-in	gfcM	mN.m	oz-in	r/min	μF	VAC		
TP 9IDDA-120F-A	9IDDA-120F-A-T	1/6	120	Single Phase 110	60	2.5	2700	270	38	3700	370	52.8	3200	30	250		
TP 9IDDB-120F-A	9IDDB-120F-A-T			Single Phase 115	60												
TP 9IDDC-120F-A	9IDDC-120F-A-T			Single Phase 220	50	1.2	2700	270	38	3700	370	52.8	3200			6.5	400
TP 9IDDD-120F-A	9IDDD-120F-A-T			Single Phase 220	60												
TP 9IDDE-120F-A	9IDDE-120F-A-T			Single Phase 230	50												
TP 9IDDF-120F-A	9IDDF-120F-A-T			Single Phase 230	60	1.2	4500	450	64	4500	450	64.2	2600			-	-
TP 9IDDG-120F-A	9IDDG-120F-A-T			Three Phase 220	50												
TP 9IDDH-120F-A	9IDDH-120F-A-T			Three Phase 220	60												
TP 9IDDI-120F-A	9IDDI-120F-A-T			Three Phase 230	50												
TP 9IDDJ-120F-A	9IDDJ-120F-A-T			Three Phase 230	60	0.6	4500	450	64	3700	370	52.8	3200	-	-		
TP 9IDDK-120F-A	9IDDK-120F-A-T			Three Phase 380	50												
TP 9IDDL-120F-A	9IDDL-120F-A-T			Three Phase 380	60	0.5	4500	450	64	4500	450	64.2	2600	-	-		
TP 9IDDM-120F-A	9IDDM-120F-A-T	Three Phase 400	50														
TP 9IDDN-120F-A	9IDDN-120F-A-T	Three Phase 440	50														
TP 9IDDO-120F-A	9IDDO-120F-A-T	Three Phase 440	60					3700	370	52.8	3200						

* Enter the 'Phase & Voltage' code in the box(□) within the motor model name.

* 'D-Cut Shaft' is for using motor only.

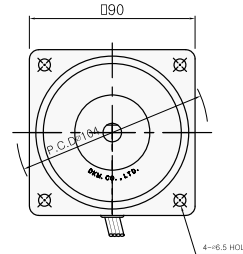
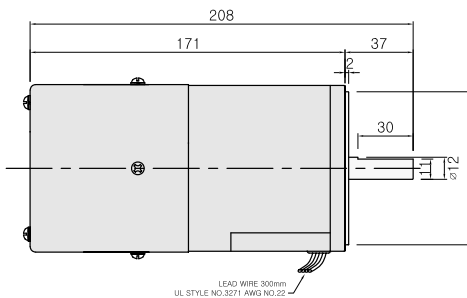
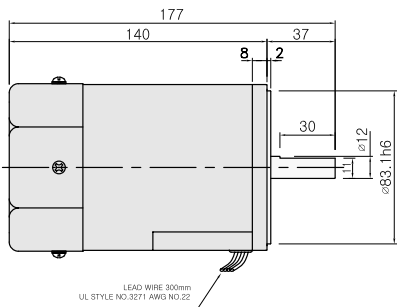
TP : Contains a built-in thermal protector. If a motor overheats for any reason the thermal protector opened and the motor stops. When the motor temperature drops, the thermal protector closes and the motor restarts. Be sure to turn the motor off before inspecting.

Dimension

LEAD WIRE TYPE

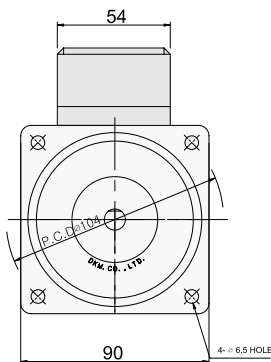
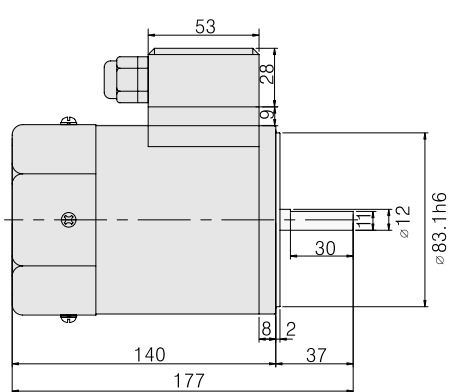
* MOTOR MODEL : 9ID□□-120F-A (GENERAL FAN)

* MOTOR MODEL : 9ID□□-120F2-A (POWERFUL FAN)



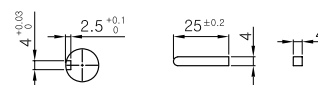
TERMINAL BOX TYPE

* MOTOR MODEL : 9ID□□-120F-A (GENERAL FAN)



* Note : There are 2 kinds of fan type (General Fan / Powerful Fan).
Customer can choose fan type according to wanted rating time.

KEY SPEC



WEIGHT

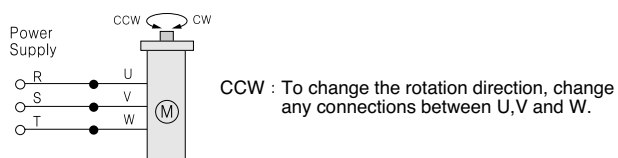
PART	WEIGHT(Kg)
MOTOR	3.0

MOTOR OUTPUT

MODEL	SHAFT
9IDS□-120□-A	ROUND TYPE 37mm length, 12mm diameter shaft
9IDD□-120□-A	D-CUT TYPE 37mm length, 12mm diameter shaft, 30mm diameter cutout, 1.5mm depth cutout
9IDK□-120□-A	KEY TYPE 37mm length, 25mm diameter shaft, 12mm diameter shaft

* Note : Above table indicates output shaft dimension made by user's request and ★ indicates the basic dimension in factory shipping.

Connection Diagrams



- The direction of motor rotation is as viewed from the shaft end of the motor.
- CW represents the clockwise direction, while CCW represents the counterclockwise direction.

2 POLE MOTOR 150W

□90mm(3.54in.)



LEAD WIRE TYPE MOTOR



TERMINAL BOX TYPE MOTOR

Motor Specification



Model 9IDD□-150F-A : D-Cut Shaft Type		Output		Voltage	Freq.	Current	Starting Torque			Rated Torque			Rated Speed	Capacitor			
Lead Wire Type	Terminal Box Type	HP	W	VAC	Hz	A	gfcM	mN.m	oz-in	gfcM	mN.m	oz-in	r/min	μF	VAC		
ⓉP 9IDDG-150F-A	9IDDG-150F-A-T	1/5	150	Three Phase 220	50	1.40	5700	570	81	5520	552	78	2600	-	-		
ⓉP 9IDDH-150F-A	9IDDH-150F-A-T			Three Phase 220	60					4600	460	65	3200				
ⓉP 9IDDI-150F-A	9IDDI-150F-A-T			Three Phase 230	50					5520	552	78	2600				
ⓉP 9IDDJ-150F-A	9IDDJ-150F-A-T			Three Phase 230	60					4600	460	65	3200				
ⓉP 9IDDK-150F-A	9IDDK-150F-A-T			Three Phase 380	50	0.66	5700	570	81	5520	552	78	2600			-	-
ⓉP 9IDDL-150F-A	9IDDL-150F-A-T			Three Phase 380	60					4600	460	65	3200				
ⓉP 9IDDM-150F-A	9IDDM-150F-A-T			Three Phase 400	50	0.54	5700	570	81	5520	552	78	2600			-	-
ⓉP 9IDDN-150F-A	9IDDN-150F-A-T			Three Phase 440	50					5520	552	78	2600				
ⓉP 9IDDO-150F-A	9IDDO-150F-A-T	Three Phase 440	60	4600	460					65	3200						

* Enter the 'Phase & Voltage' code in the box(□) within the motor model name.

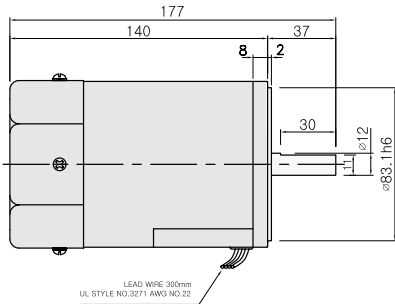
* 'D-Cut Shaft' is for using motor only.

ⓉP : Contains a built-in thermal protector. If a motor overheats for any reason the thermal protector opened and the motor stops. When the motor temperature drops, the thermal protector closes and the motor restarts. Be sure to turn the motor off before inspecting.

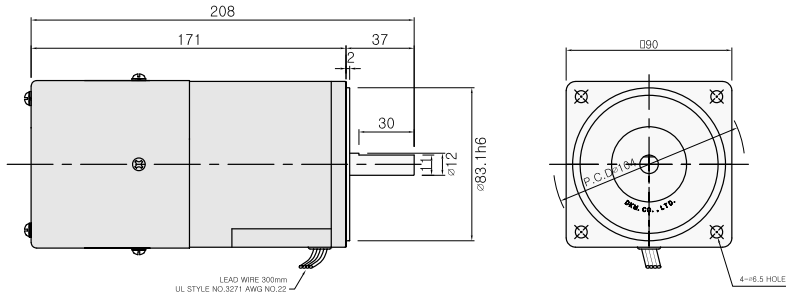
Dimension

LEAD WIRE TYPE

* MOTOR MODEL : 9ID□□-150F-A (GENERAL FAN)

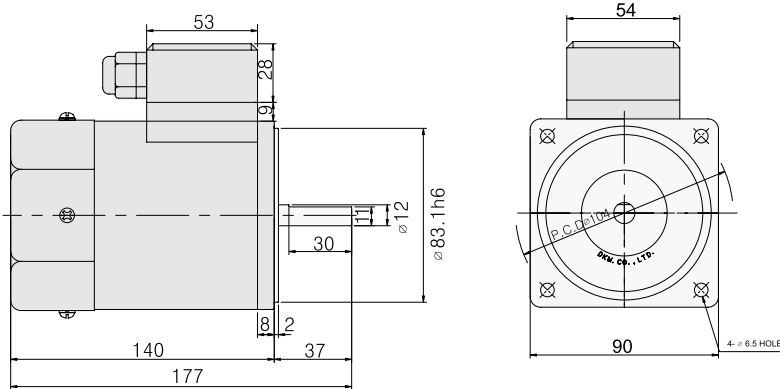


* MOTOR MODEL : 9ID□□-150F2-A (POWERFUL FAN)

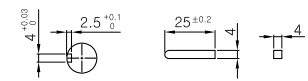


TERMINAL BOX TYPE

* MOTOR MODEL : 9ID□□-150F-AT (GENERAL FAN)



KEY SPEC



WEIGHT

PART	WEIGHT(Kg)
MOTOR	3.0

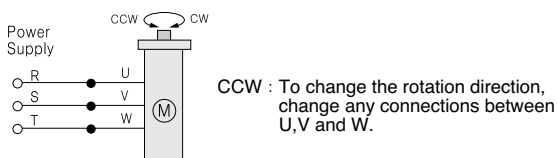
MOTOR OUTPUT

MODEL	SHAFT
ROUND TYPE	37 11.2
9IDS□-150□-A	37 11.2 30
D-CUT TYPE	37 11.2 30 25
9IDD□-150□-A	37 11.2 25
KEY TYPE	37 11.2 25
9IDK□-150□-A	37 11.2 25

* Note : There are 2 kinds of fan type (General Fan / Powerful Fan).
Customer can choose fan type according to wanted rating time.

* Note : Above table indicates output shaft dimension made by user's request and ★ indicates the basic dimension in factory shipping.

Connection Diagrams



- The direction of motor rotation is as viewed from the shaft end of the motor.
- CW represents the clockwise direction, while CCW represents the counterclockwise direction.

2 POLE MOTOR 200W

□90mm(3.54in.)



LEAD WIRE TYPE MOTOR



TERMINAL BOX TYPE MOTOR

Motor Specification



Model 9IDD□-200F-A : D-Cut Shaft Type		Output		Voltage	Freq.	Current	Starting Torque			Rated Torque			Rated Speed	Capacitor			
Lead Wire Type	Terminal Box Type	HP	W	VAC	Hz	A	gfcM	mN.m	oz-in	gfcM	mN.m	oz-in	r/min	μF	VAC		
ⓉP 9IDDG-200F-A	9IDDG-200F-A-T	1/4	200	Three Phase 220	50	2.00	7500	750	106	7200	720	102	2600	-	-		
ⓉP 9IDDH-200F-A	9IDDH-200F-A-T			Three Phase 220	60					6000	600	85	3200				
ⓉP 9IDDI-200F-A	9IDDI-200F-A-T			Three Phase 230	50					7200	720	102	2600				
ⓉP 9IDDJ-200F-A	9IDDJ-200F-A-T			Three Phase 230	60					6000	600	85	3200				
ⓉP 9IDDK-200F-A	9IDDK-200F-A-T			Three Phase 380	50	0.90	7500	750	106	7200	720	102	2600			-	-
ⓉP 9IDDL-200F-A	9IDDL-200F-A-T			Three Phase 380	60					6000	600	85	3200				
ⓉP 9IDDM-200F-A	9IDDM-200F-A-T			Three Phase 400	50	0.68	7500	750	106	7200	720	102	2600			-	-
ⓉP 9IDDN-200F-A	9IDDN-200F-A-T			Three Phase 440	50					7200	720	102	2600				
ⓉP 9IDDO-200F-A	9IDDO-200F-A-T	Three Phase 440	60	6000	600					78	3200						

* Enter the 'Phase & Voltage' code in the box(□) within the motor model name.

* 'D-Cut Shaft' is for using motor only.

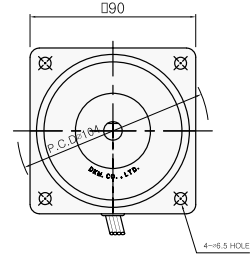
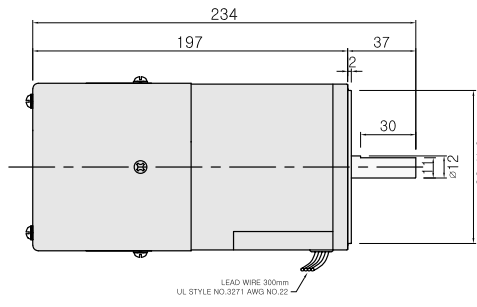
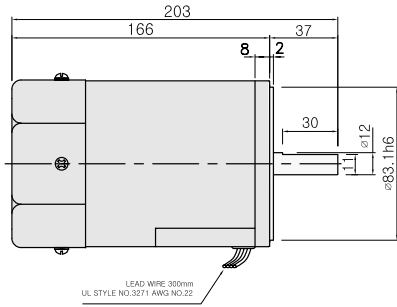
ⓉP : Contains a built-in thermal protector. If a motor overheats for any reason the thermal protector opened and the motor stops. When the motor temperature drops, the thermal protector closes and the motor restarts. Be sure to turn the motor off before inspecting.

Dimension

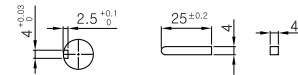
LEAD WIRE TYPE

* MOTOR MODEL : 9ID□□-200F-A (GENERAL FAN)

* MOTOR MODEL : 9ID□□-200F2-A (POWERFUL FAN)

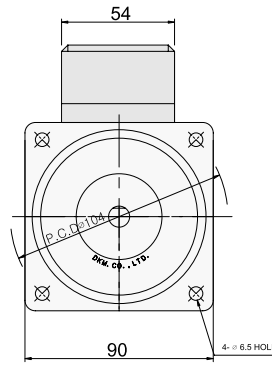
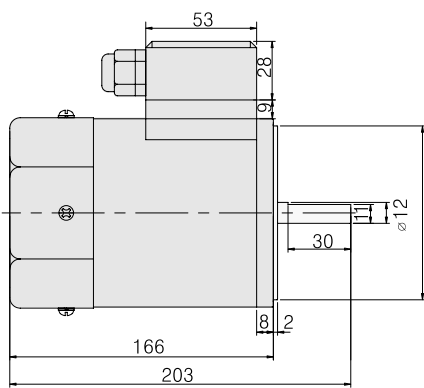


KEY SPEC



TERMINAL BOX TYPE

* MOTOR MODEL : 9ID□□-200F-AT (GENERAL FAN)



WEIGHT

PART	WEIGHT(Kg)
MOTOR	3.8

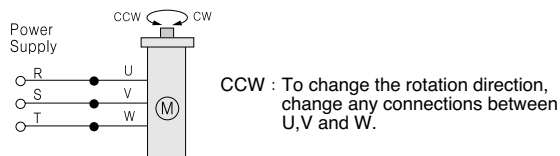
MOTOR OUTPUT

MODEL	SHAFT
ROUND TYPE	
9IDS□-200□-A	
D-CUT TYPE	
9IDD□-200□-A	
KEY TYPE	
9IDK□-200□-A	

* Note : There are 2 kinds of fan type (General Fan / Powerful Fan).
Customer can choose fan type according to wanted rating time.

* Note : Above table indicates output shaft dimension made by user's request and ★ indicates the basic dimension in factory shipping.

Connection Diagrams



- The direction of motor rotation is as viewed from the shaft end of the motor.
- CW represents the clockwise direction, while CCW represents the counterclockwise direction.