

Speed Control  
Clutch & Brake Motor

**15, 25, 40,  
60, 90, 120W**



■ **Motor Specification**

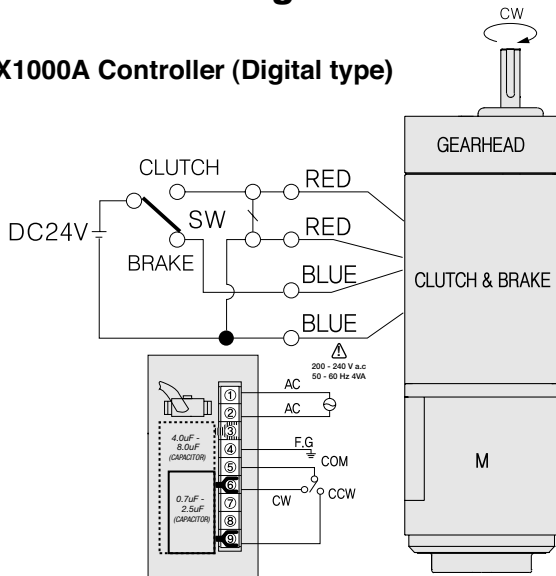
Please refer to the page of SPEED CONTROL MOTOR.

■ **Permissible Torque When using gearhead**

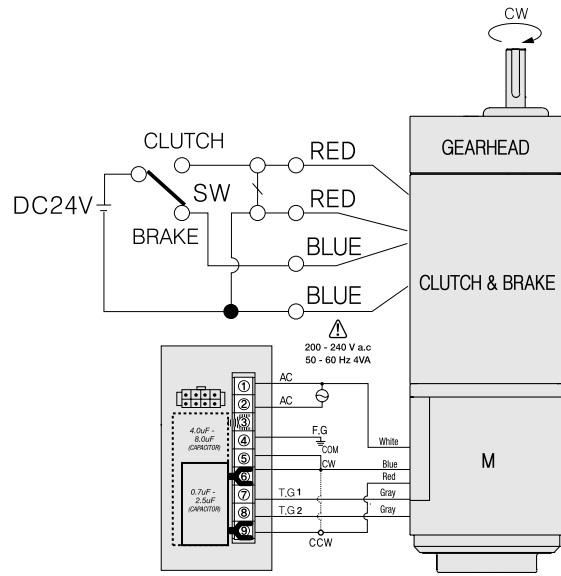
Please refer to the page of SPEED CONTROL MOTOR.

■ **Connection Diagrams**

● **FX1000A Controller (Digital type)**

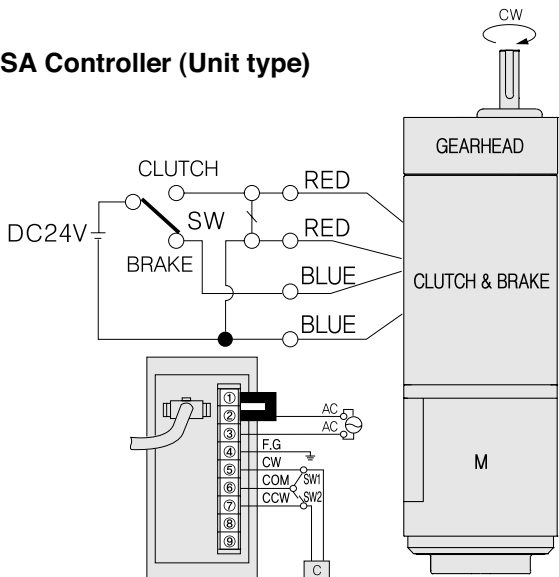


CONNECTOR TYPE

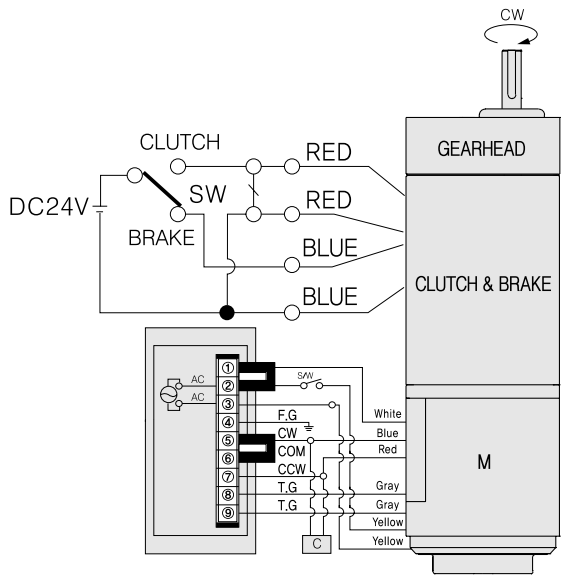


TERMINAL TYPE

● **DSA Controller (Unit type)**



CONNECTOR TYPE



TERMINAL TYPE

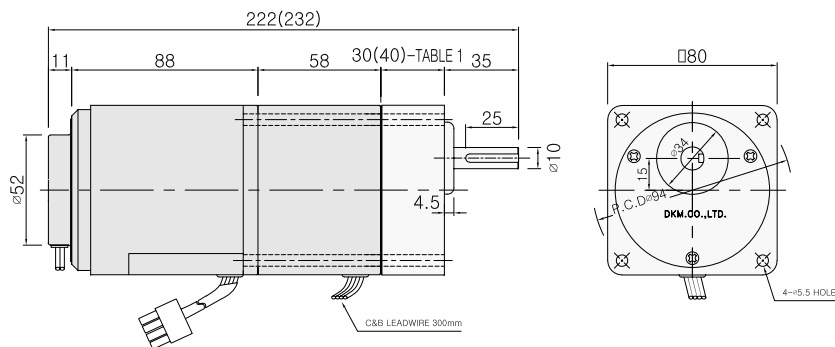
## Dimension

### 1. 15W

#### ● LEAD WIRE TYPE

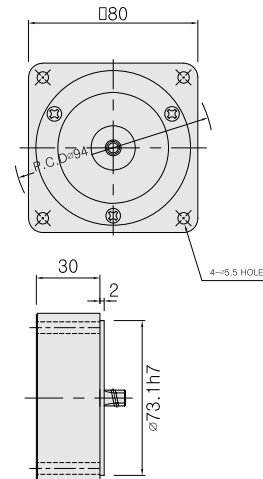
##### ◆ GEARED MOTOR

- \* MOTOR MODEL : 8CSDG□-15G (NO FAN)
- \* HEAD MODEL : 8GB□3BMH - 8GB□360BMH

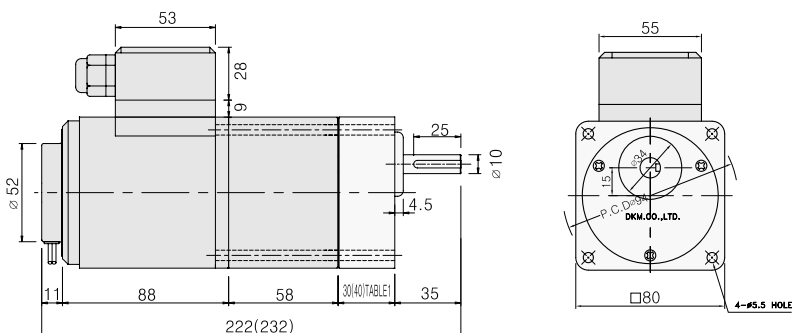


##### ◆ INTER-DECIMAL GEARHEAD

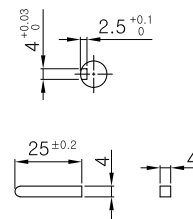
\* MODEL : 8XD10M□



#### ● TERMINAL BOX TYPE \* MOTOR MODEL : 8CSDG□-15G-T (NO FAN)



##### ◆ KEY SPEC



##### ◆ GEARHEAD OUTPUT

MODEL	SHAFT
ROUND TYPE	
8GBS3BMH ~8GBS360BMH	
D-CUT TYPE	
8GBD3BMH ~8GBD360BMH	
KEY TYPE	
8GBK3BMH ~8GBK360BMH	

##### ◆ 30(40)-TABLE 1

SIZE(mm)	GEAR RATIO
30	8GB□3BMH - 8GB□18BMH
40	8GB□25BMH - 8GB□360BMH

##### ◆ MOTOR OUTPUT

MODEL	SHAFT
GEAR TYPE	
8CSDG□-15G	

##### ◆ WEIGHT

PART	WEIGHT(Kg)	
MOTOR	1.7	
CLUTCH & BRAKE	1.05	
DECIMAL GEARHEAD	0.44	
GEAR HEAD	8GB□3BMH - 8GB□18BMH	0.48
	8GB□25BMH - 8GB□30BMH	0.61
	8GB□36BMH - 8GB□180BMH	0.67
	8GB□200BMH - 8GB□360BMH	0.63

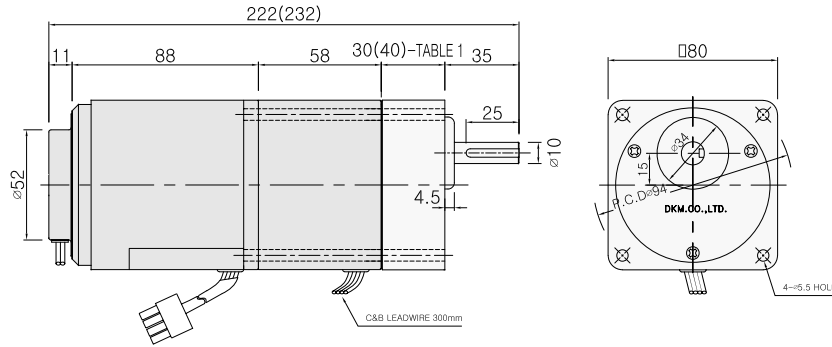
\* Note : Above table indicates output shaft dimension made by user's request and ★ indicates the basic dimension in factory shipping.

2. 25W

● LEAD WIRE TYPE

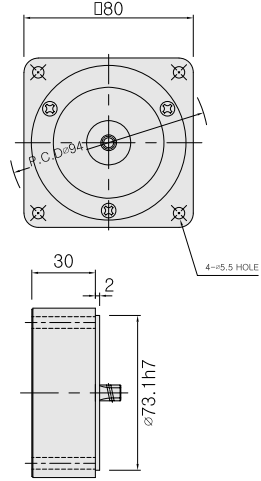
◆ GEARED MOTOR

- \* MOTOR MODEL : 8CSDG□-25G (NO FAN)
- \* HEAD MODEL : 8GB□3BMH - 8GB□360BMH

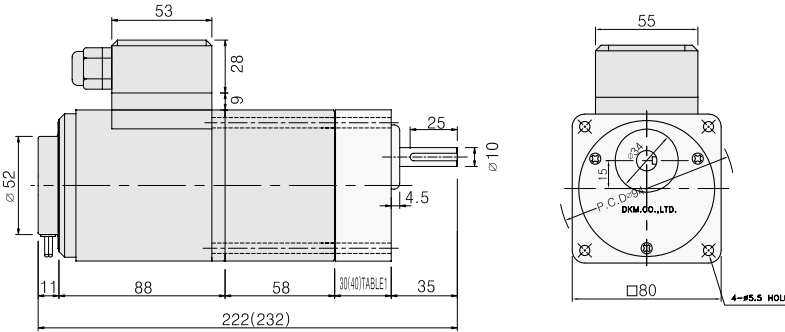


◆ INTER-DECIMAL GEARHEAD

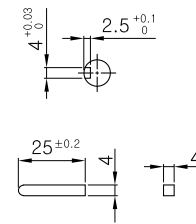
- \* MODEL : 8XD10M□



● TERMINAL BOX TYPE \* MOTOR MODEL : 8CSDG□-25G-T (NO FAN)



◆ KEY SPEC



◆ GEARHEAD OUTPUT

MODEL	SHAFT
ROUND TYPE	
8GBS3BMH ~8GBS360BMH	
D-CUT TYPE	
8GBD3BMH ~8GBD360BMH	
KEY TYPE	
8GBK3BMH ~8GBK360BMH	

◆ 30(40)-TABLE 1

SIZE(mm)	GEAR RATIO
30	8GB□3BMH - 8GB□18BMH
40	8GB□25BMH - 8GB□360BMH

◆ MOTOR OUTPUT DIMENSION

MODEL	SHAFT
GEAR TYPE	
8CSDG□-25G	

◆ WEIGHT

PART	WEIGHT(Kg)	
MOTOR	1.7	
CLUTCH & BRAKE	1.05	
DECIMAL GEARHEAD	0.44	
GEAR HEAD	8GB□3BMH - 8GB□18BMH	0.48
	8GB□25BMH - 8GB□30BMH	0.61
	8GB□36BMH - 8GB□180BMH	0.67
	8GB□200BMH - 8GB□360BMH	0.63

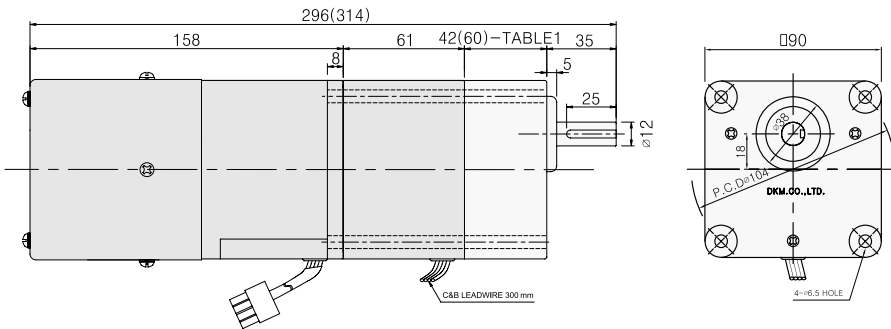
\* Note : Above table indicates output shaft dimension made by user's request and ★ indicates the basic dimension in factory shipping.

### 3. 40W

#### ● LEAD WIRE TYPE

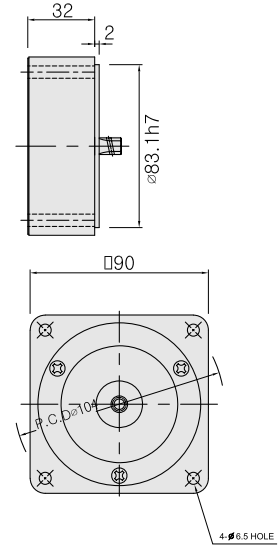
##### ◆ GEARED MOTOR

- \* MOTOR MODEL : 9CSDG□-40F2G (POWERFUL FAN)
- \* GEARHEAD MODEL : 9GB□3MH - 9GB□180MH



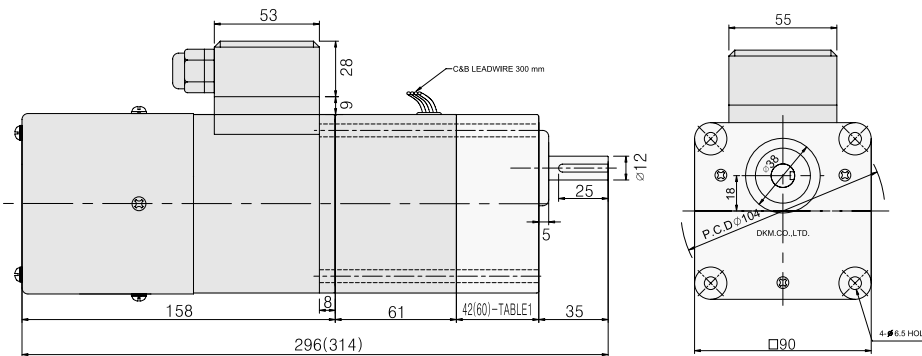
##### ◆ INTER-DECIMAL GEARHEAD

- \* MODEL : 9XD10M□



#### ● TERMINAL BOX TYPE

- \* MOTOR MODEL : 9SDG□-40F2G-T (POWERFUL FAN)



\* Note : For speed control motor, powerful Fan(F2) is basic specification.

##### ◆ GEARHEAD OUTPUT

MODEL	SHAFT
ROUND TYPE	
9GBS3MH ~9GBS180MH	
D-CUT TYPE	
9GBD3MH ~9GBD180MH	
KEY TYPE	
9GBK3MH ~9GBK180MH	

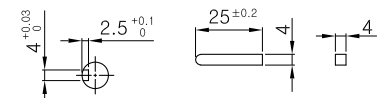
##### ◆ 42(60)-TABLE1

SIZE(mm)	GEAR RATIO
42	9GB□3MH - 9GB□15MH
60	9GB□18MH - 9GB□180MH

##### ◆ MOTOR OUTPUT DIMENSION

MODEL	SHAFT
9CSDG□ -40F2G	

##### ◆ KEY SPEC



##### ◆ WEIGHT

PART	WEIGHT(Kg)	
MOTOR	2.5	
CLUTCH & BRAKE	1.35	
DECIMAL GEARHEAD	0.5	
GEAR HEAD	9GB□3MH - 9GB□15MH	0.67
	9GB□18MH - 9GB□30MH	0.96
	9GB□36MH - 9GB□180MH	1.07

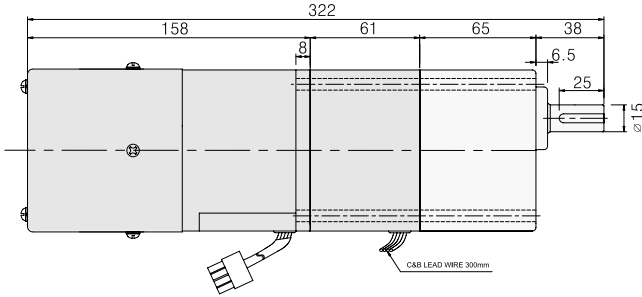
\* Note : Above table indicates output shaft dimension made by user's request and ★ indicates the basic dimension in factory shipping.

4. 60W

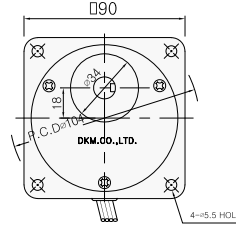
● LEAD WIRE TYPE

◆ GEARED MOTOR

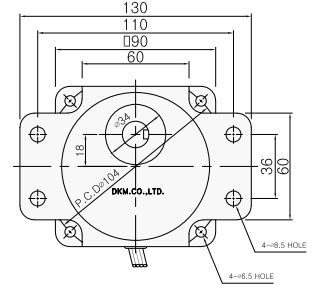
\* MOTOR MODEL : 9CSDG□-60F2P (POWERFUL FAN)



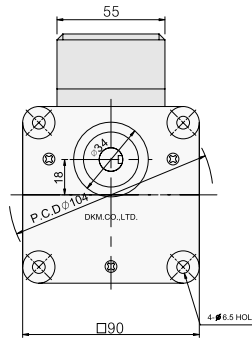
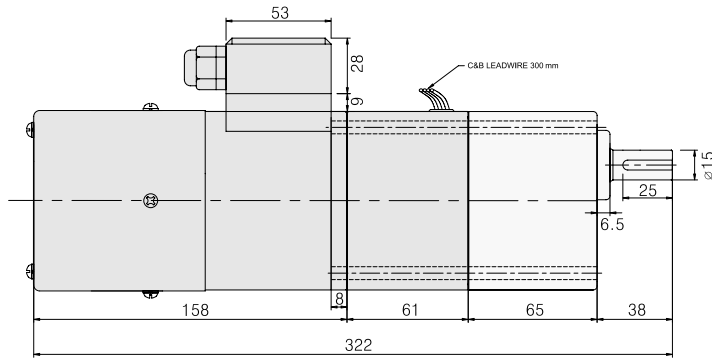
\* GEARHEAD MODEL :  
9PB □3BH - 9PB □180BH



\* GEARHEAD MODEL :  
9PF □3BH - 9PF □180BH



● TERMINAL BOX TYPE \* MOTOR MODEL : 9CSDG□-60F2P-T (POWERFUL FAN)

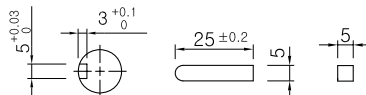


\* Note : For speed control motor, powerful Fan(F2) is basic specification.

◆ GEARHEAD OUTPUT

MODEL	SHAFT
ROUND TYPE	
9P□S3BH ~9P□S180BH	
D-CUT TYPE	
9P□D3BH ~9P□D180BH	
KEY TYPE	
9P□K3BH ~9P□K180BH	★

◆ KEY SPEC

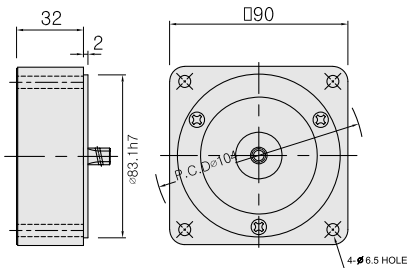


◆ WEIGHT

PART	WEIGHT(Kg)	
MOTOR	2.7	
CLUTCH & BRAKE	1.35	
DECIMAL GEARHEAD	0.5	
GEAR HEAD	9P□□3BH - 9P□□9BH	1.3
	9P□□12.5BH - 9P□□18BH	1.3
	9P□□25BH - 9P□□60BH	1.4
	9P□□90BH - 9P□□180BH	1.4

◆ INTER-DECIMAL GEARHEAD

\* MODEL : 9XD10M□



◆ MOTOR OUTPUT

MODEL	SHAFT
9CSDG□ -60F2P	

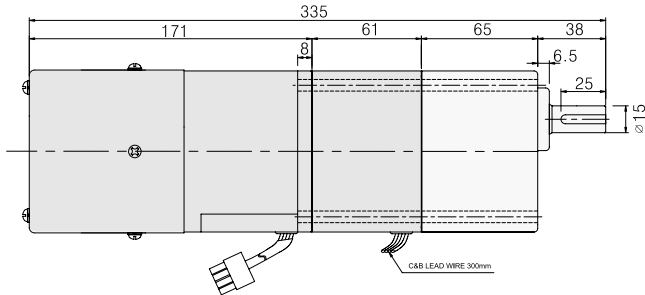
\* Note : Above table indicates output shaft dimension made by user's request and ★ indicates the basic dimension in factory shipping.

## 5. 90W

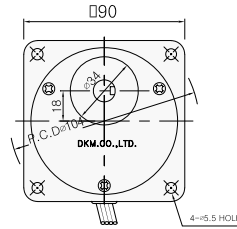
### ● LEAD WIRE TYPE

#### ◆ GEARED MOTOR

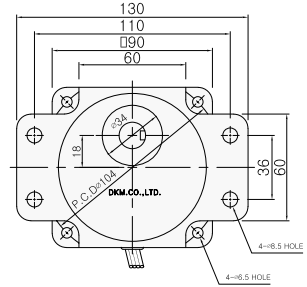
\* MOTOR MODEL : 9CSDG□-90F2P (POWERFUL FAN)



\* GEARHEAD MODEL :  
9PB □ 3BH - 9PB □ 180BH

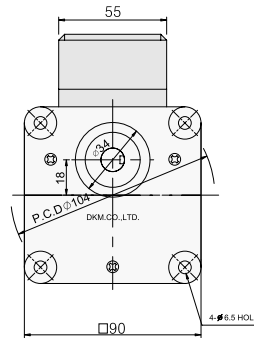
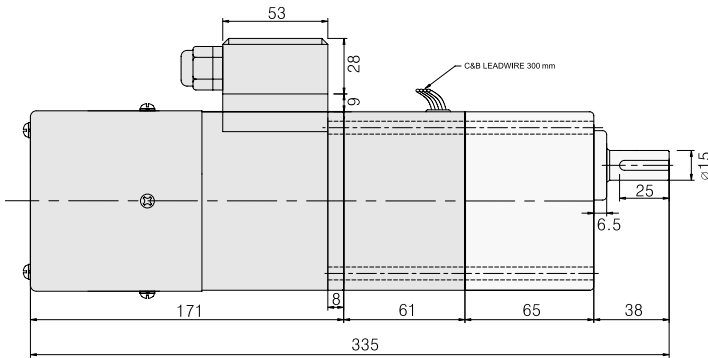


\* GEARHEAD MODEL :  
9PF □ 3BH - 9PF □ 180BH



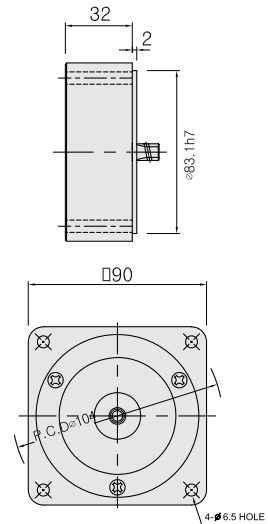
### ● TERMINAL BOX TYPE

\* MOTOR MODEL : 9CSDG□-90F2P-T (POWERFUL FAN)



### ◆ INTER-DECIMAL GEARHEAD

\* MODEL : 9XD10M □



\* Note : For speed control motor, powerful Fan(F2) is basic specification.

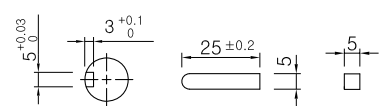
### ◆ GEARHEAD OUTPUT

MODEL	SHAFT
ROUND TYPE	
9P□S3BH ~9P□S180BH	
D-CUT TYPE	
9P□D3BH ~9P□D180BH	
KEY TYPE	
9P□K3BH ~9P□K180BH	

### ◆ WEIGHT

PART	WEIGHT(Kg)	
MOTOR	3.0	
CLUTCH & BRAKE	1.35	
DECIMAL GEARHEAD	0.5	
GEAR HEAD	9P□□ 3BH - 9P□□9BH	1.3
	9P□□ 12.5BH - 9P□□18BH	1.3
	9P□□ 25BH - 9P□□60BH	1.4
	9P□□ 90BH - 9P□□180BH	1.4

### ◆ KEY SPEC



### ◆ MOTOR OUTPUT

MODEL	SHAFT
GEAR TYPE	
9CSDG□ -90F2P	

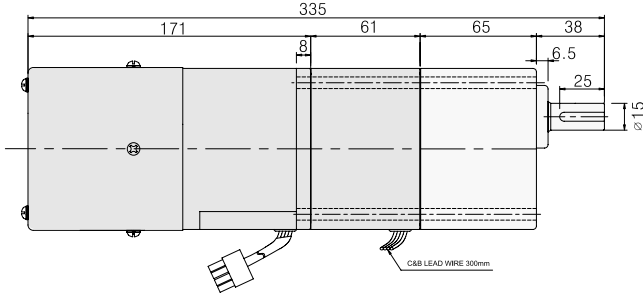
\* Note : Above table indicates output shaft dimension made by user's request and ★ indicates the basic dimension in factory shipping.

6. 120W

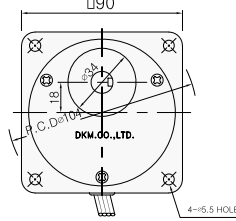
● LEAD WIRE TYPE

◆ GEARED MOTOR

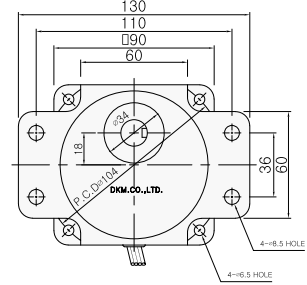
\* MOTOR MODEL : 9CSDG□-120F2P (POWERFUL FAN)



\* GEARHEAD MODEL :  
9PB □ 3BH - 9PB □ 180BH

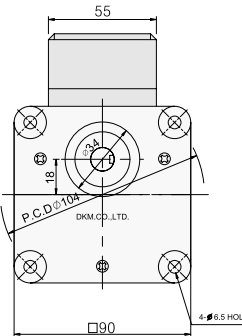
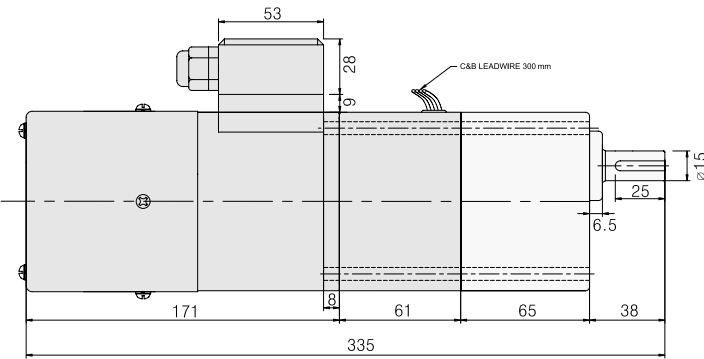


\* GEARHEAD MODEL :  
9PF □ 3BH - 9PF □ 180BH



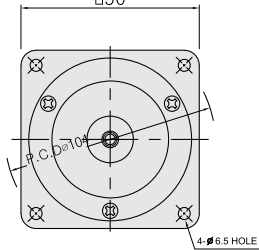
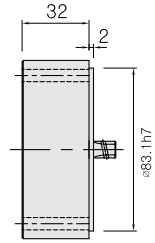
● TERMINAL BOX TYPE

\* MOTOR MODEL : 9CSDG□-120F2P-T (POWERFUL FAN)



◆ INTER-DECIMAL GEARHEAD

\* MODEL : 9XD10M □



\* Note : For speed control motor, powerful Fan(F2) is basic specification.

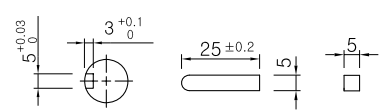
◆ GEARHEAD OUTPUT

MODEL	SHAFT
ROUND TYPE	
9P□S3BH ~9P□S180BH	
D-CUT TYPE	
9P□D3BH ~9P□D180BH	
KEY TYPE	
9P□K3BH ~9P□K180BH	

◆ WEIGHT

PART	WEIGHT(Kg)	
MOTOR	3.0	
CLUTCH & BRAKE	1.35	
DECIMAL GEARHEAD	0.5	
GEAR HEAD	9P□□3BH - 9P□□9BH	1.3
	9P□□12.5BH - 9P□□18BH	1.3
	9P□□25BH - 9P□□60BH	1.4
	9P□□90BH - 9P□□180BH	1.4

◆ KEY SPEC



◆ MOTOR OUTPUT

MODEL	SHAFT
GEAR TYPE	
9CSDG□ -120F2P	

\* Note : Above table indicates output shaft dimension made by user' s request and ★ indicates the basic dimension in factory shipping.